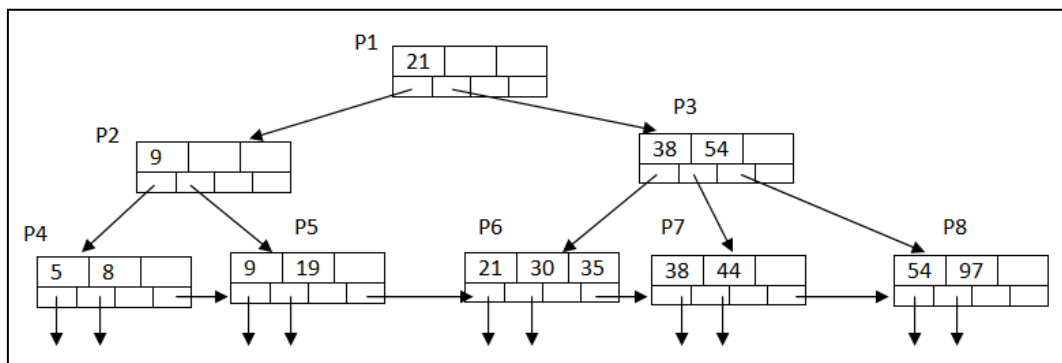


SW N°3: INDEX STRUCTURE

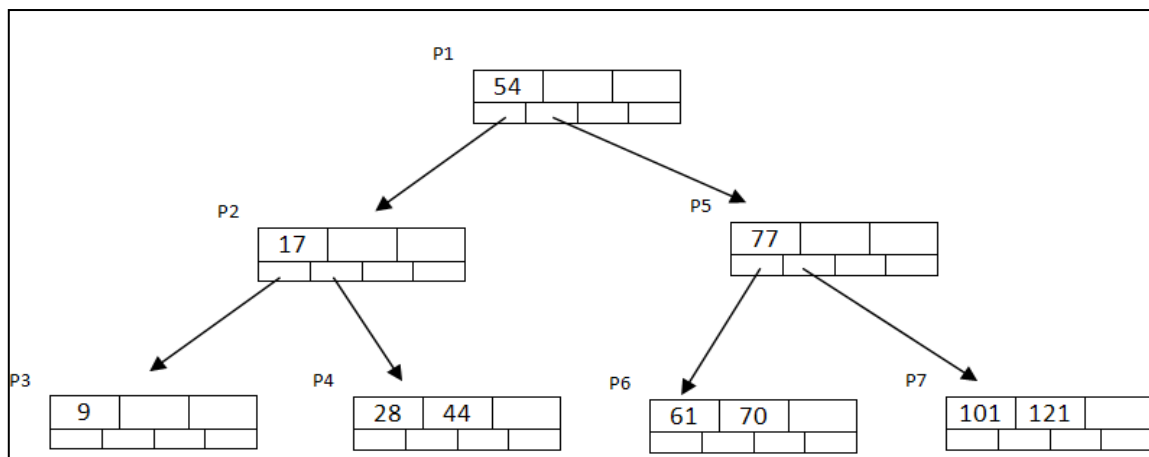
Exercise 1:

Here is the following B Tree of order $n = 3$. Insert 10 random values into this tree.



Exercise 02 :

1. Here is the following B Tree of order $n = 3$



1. Insert the following values (respecting the order of the sequence):

15, 24, 66, 37, 1, 145, 51, 40, 65, 5, 110, 45, 58, 130, 105.